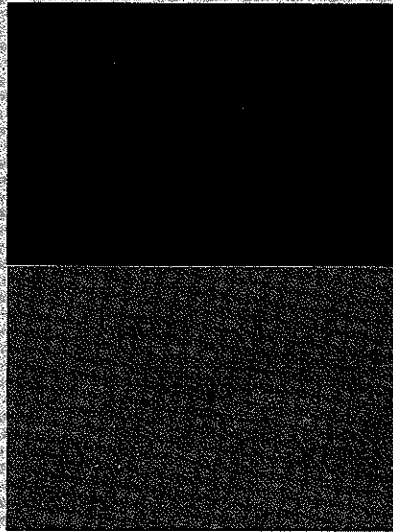


KAWAI



MX-8R

8 CHANNEL STEREO MIXER

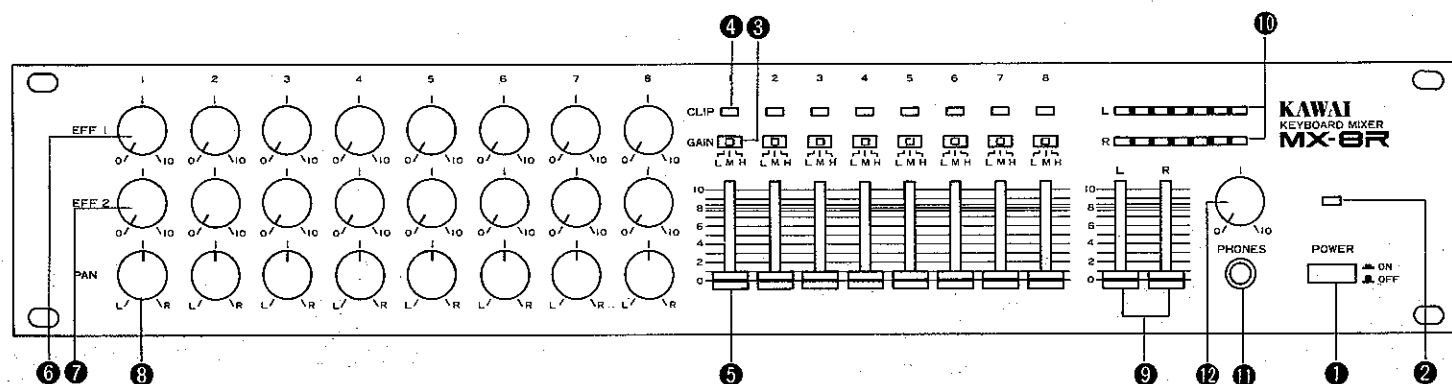
- Thank you for purchasing a **KAWAI MX-8R** 8-Channel Stereo Mixer!
This Owner's Manual contains valuable information that will help you make full use of this instrument's many capabilities.
Read it carefully and keep it handy for future reference.

■ FEATURES

1. A compact 19" rack mount type keyboard mixer with 8 input channels (PHONE and RCA-pin) and 2 output channels (PHONE and CANNON).
2. Three-position gain switches (H/M/L) that permit mixing of the different levels from keyboards, drum machines, guitars, and vocals.
3. Two effect loops, EFFECT 1 and EFFECT 2, for each channel. The second provides a choice of PRE- and POST-FADER for even greater variety.
4. Pan-pots for each channel.
5. MIDI jacks (IN x 1, THRU x 3) for efficiently joining multiple sound sources.
6. High signal-to-noise ratio (80 dB) that satisfies recording requirements.

■ CONTROLS

(I) Front Panel

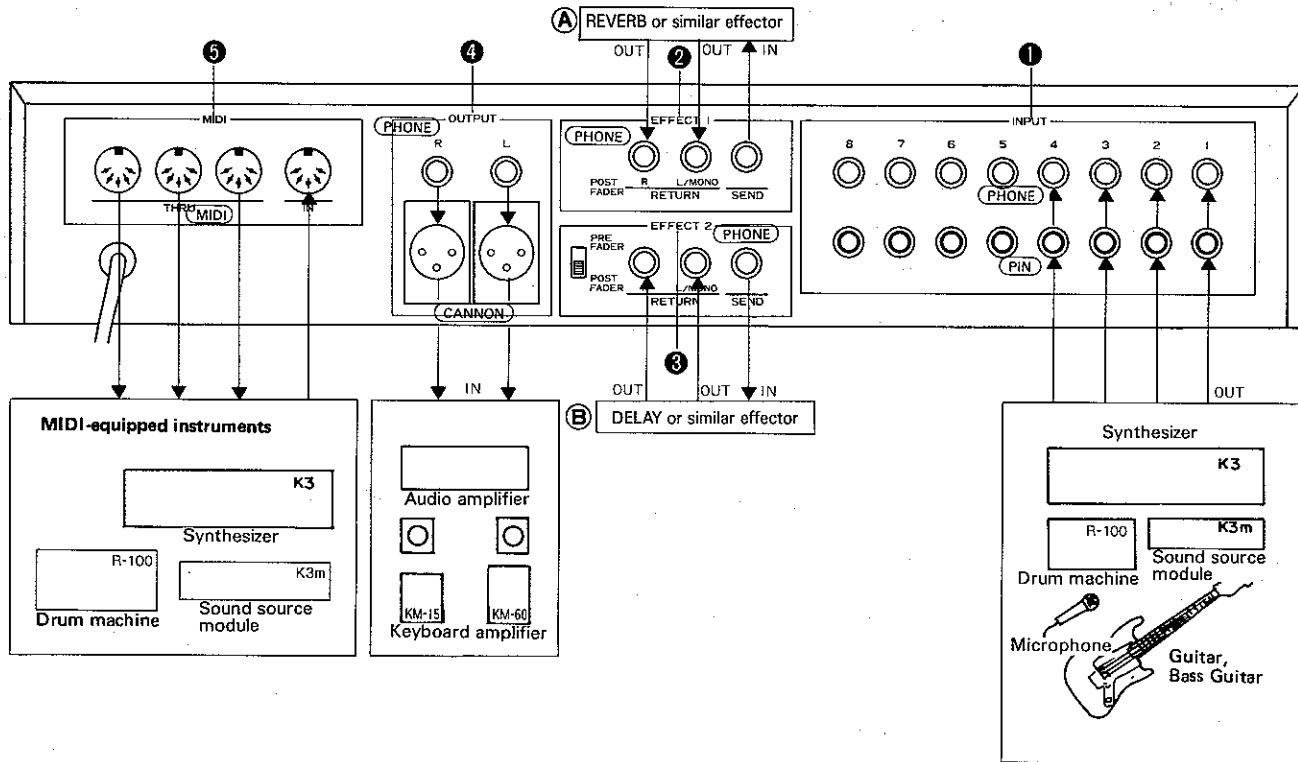


- 1 POWER SWITCH** ————— Make sure that the MASTER FADER controls (9) are at their minimum levels before turning this switch on or off.
- 2 PILOT LAMP** ————— This LED lights when the power is on.
- 3 GAIN (L/M/H)** ————— These three-position switches allow you to adjust the channel gain to match the input level.
- 4 CLIP INDICATOR** ————— These indicators flash when the input level exceeds the maximum. Adjust the GAIN switches (3) to eliminate excessive flashing.
- 5 CHANNEL FADER** ————— These sliders control the volume for each channel. The normal position is "8".
- 6 EFFECT 1 VOLUME** ————— These knobs control the amount of each channel's POST-FADER signal which is sent to the EFFECT 1 mixing buss.
- 7 EFFECT 2 VOLUME** ————— These knobs control the amount of each channel's PRE- or POST-FADER signal which is sent to the EFFECT 2 mixing buss.
(A switch on the rear panel determines the pick-up point, PRE- or POST-FADER.)
- 8 PANPOT** ————— These knobs determine the stereo balance for each channel.
- 9 MASTER FADER** ————— These sliders control the volume on the two output channels.
- 10 LEVEL METER** ————— These meters monitor the final output levels.
- 11 HEADPHONE JACK** ————— This socket accepts a standard headphone jack.
- 12 HEADPHONE VOLUME** ————— This knob controls the volume of the headphone output.

■ IMPORTANT NOTES

- Always connect the mixer to the proper power supply.
- Use separate circuits for equipment that consumes a lot of power or generates line noise.
- Protect the mixer from dust, heat, humidity, and direct sunlight.
- Turn all power switches off before connecting or disconnecting equipment.
- Set the amplifier volume to its minimum setting before turning on the mixer.
- Clean the mixer with a clean, dry cloth.
- Do not use benzene, paint thinner, or other solvents.

(II) Rear Panel



① INPUT

- **PHONE** – These accept PHONE jacks from instruments.
- **RCA PIN** – These accept RCA pin jacks from audio equipments, effectors, and similar equipments.

② EFFECT 1

- **SEND** – This terminal sends the POST-FADER signals to effector **(A)**.
- **RETURN (R, L/MONO)** – These terminals accept the effector **(A)** outputs.

③ EFFECT 2

- **PRE/POST** – This switch determines whether the mixer sends the PRE- or POST-FADER signals to effector **(B)**.
- **SEND** – This terminal sends the signals to effector **(B)**.

- **RETURN (R, L/MONO)** – These terminals accept the effector **(B)** outputs.

④ OUTPUT

- **PHONE** } These terminals send the mixer output to the power amplifier. The only difference is in the
- **CANNON** } shape of the connectors.

⑤ MIDI

- **IN** } These terminals connect the mixer to synthesizers, sequencers, drum machines, sound source
 - **THRU** } modules, and other electronic instruments equipped with this standard interface.
- The MIDI signals to the MIDI IN jack are transmitted from the MIDI THRU jacks.

■ SPECIFICATIONS

Input (8 channels)	Input level rating	-20 dBm	
	Input impedance	56 k Ω (PHONE)/3.5 k Ω (RCA PIN)	
Output (2 channels)	Output level	+4 dBm (rating)/+15 dBm (max.)	
	Output impedance	1 k Ω	
Effect 1. POST (RETURN x 2, SEND x 1)	Input level rating	-13.7 dBm	Input impedance 5.4 k Ω (Mono)
	Output level rating	-7.5 dBm	
Effect 2. PRE/POST (RETURN x 2, SEND x 1)	Input level rating	-13.7 dBm	Input impedance 5.4 k Ω (Mono)
	Output level rating	-13.5 dBm (PRE)/-7.5 dBm (POST)	
Headphone impedance	47 Ω		
Frequency response	25 Hz - 25 kHz		
Controls	GAIN (L/M/H)	8	CHANNEL FADER 8
	PANPOT	8	EFFECT 1 VOLUME 8
	EFFECT 2 VOLUME	8	MASTER FADER 2
	HEADPHONE VOLUME	1	POWER SWITCH 1
	PRE/POST selector switch	1	
Indicators	CLIP INDICATOR	8	LEVEL METER 2
Connectors	INPUT JACK (PHONE)	8	INPUT JACK (RCA PIN) 8
	EFFECT SEND	2	EFFECT RETURN 4
	OUTPUT (PHONE)	2	OUTPUT (CANNON) 2
	HEADPHONE JACK	1	
MIDI	IN	1	THRU 3
Signal-to-noise ratio	80 dB (IHF A curve)		
Total harmonic distortion	less than 0.033% (+4 dBm @ 1kHz)		
Dimensions/Weight	482 (W) x 260 (D) x 88 (H) mm / 4.5 kg		
Power consumption	10W		

Specifications, external appearance, and other aspects of the product are subject to change without prior notice.